

PEDAL PADDING MACHINE

Helps eliminate operator wrist fatigue while increasing production
Designed for manufacturers of brake and clutch equipment

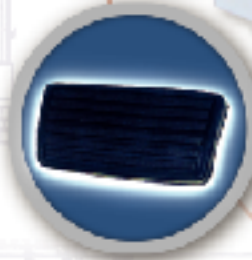
HNH Machine Ltd. has developed an optimum solution for operators to rapidly and easily assemble flexible rubber pads onto brake and clutch arms.

Options

- ▶ switch flag or pin detection
- ▶ bushing installation
- ▶ grease application
- ▶ air logic or PLC control

Benefits

- ▶ ergonomic
- ▶ economical
- ▶ compact
- ▶ reliable



HNH

MACHINE Ltd.

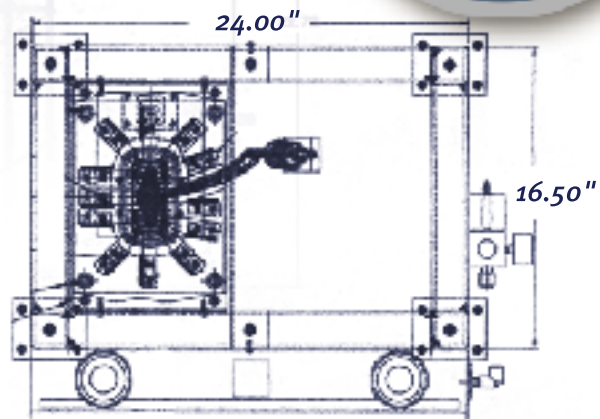
Your Process Solutions Partner

110 TOWERLINE PLACE
LONDON, ONTARIO N6E 2T1

Phone: (519) 680-3880

Fax: (519) 680-3884

www.hnhmachine.com



top view